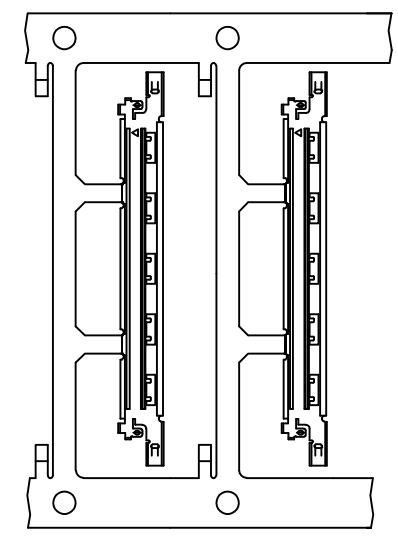
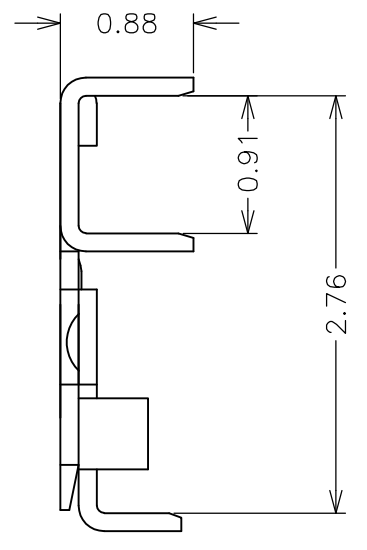
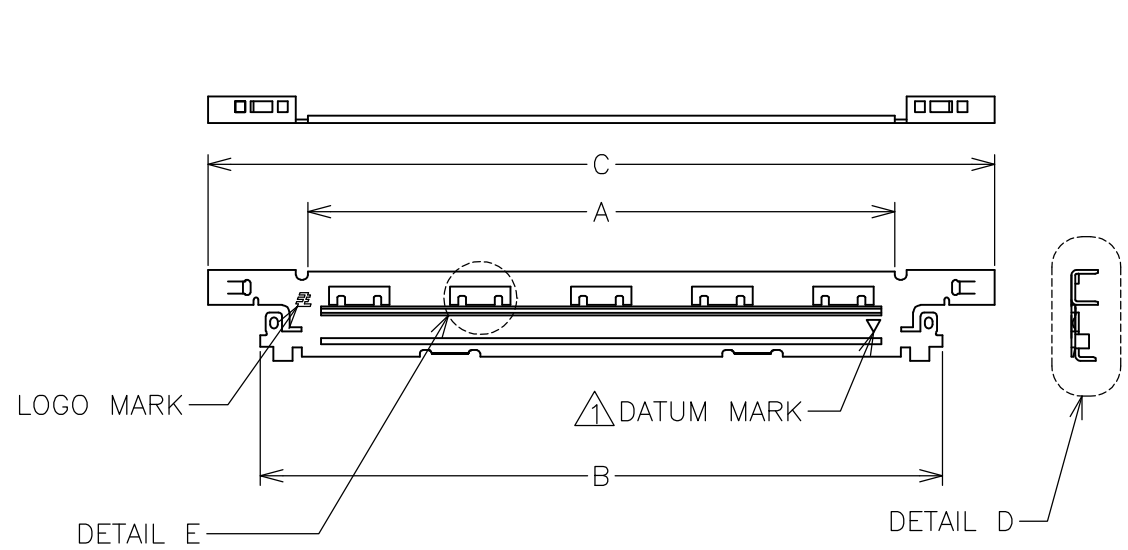


THIS DRAWING IS UNPUBLISHED. RELEASED FOR PUBLICATION

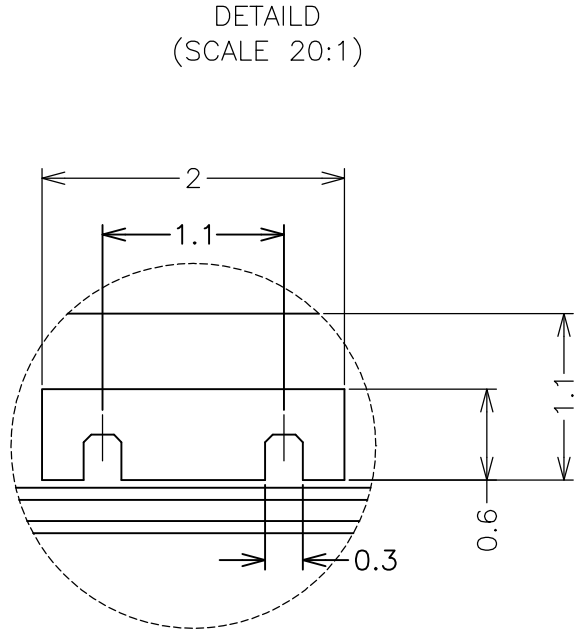
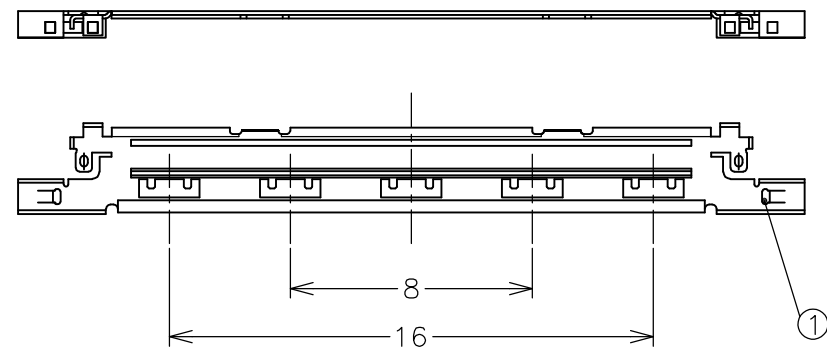
© COPYRIGHT BY TYCO ELECTRONICS CORPORATION. ALL RIGHTS RESERVED.

PART NO.	POS NO.	A	B	C	DATUM MARK \triangle	TOOLING STATUS
2023347-3	40	19.4	22.56	26	WITHOUT DATUM MARK	AVAILABLE
2023347-2	30	14.4	17.56	21		NOT AVAILABLE
2023347-1	20	9.4	12.56	16		NOT AVAILABLE
5-2023347-3	40	19.4	22.56	26	WITH DATUM MARK	AVAILABLE
5-2023347-2	30	14.4	17.56	21		NOT AVAILABLE
5-2023347-1	20	9.4	12.56	16		NOT AVAILABLE

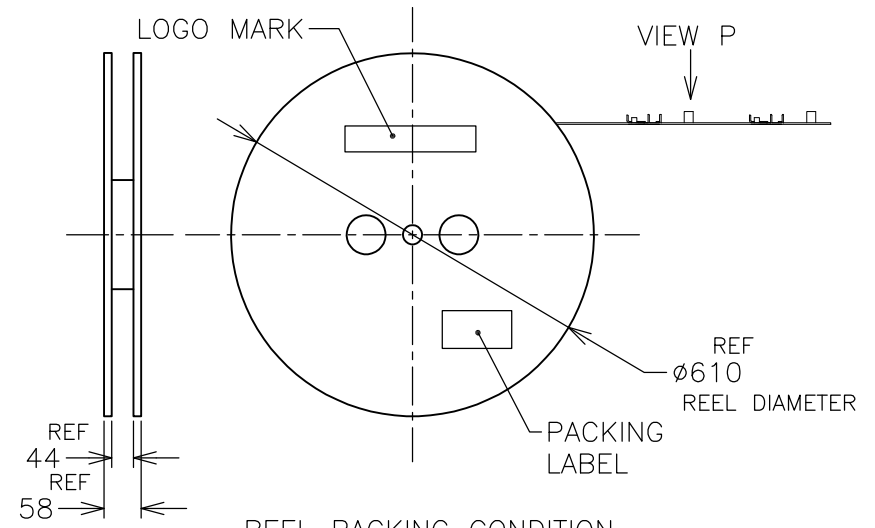
LOC	DIST	P	LTR	REVISIONS 変更	DESCRIPTION	DATE	DWN	APVD
J	/		A	RELEASED		18SEP2009	Y.S	S.K



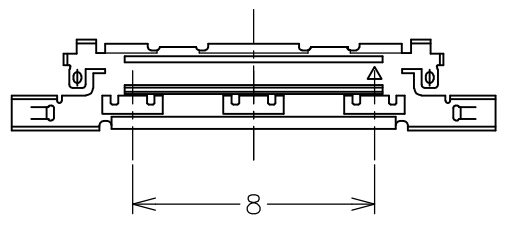
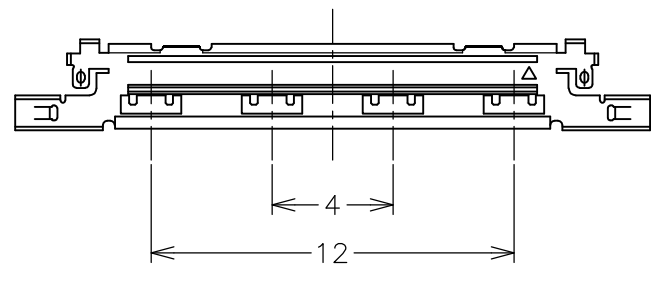
VIEW P
(SCALE 2:1)



DETAIL E
(SCALE 20:1)



REEL PACKING CONDITION
(SCALE REF.)



GENERAL TOLERANCE	
6 MAX.	±0.2
6 OVER MAX. 30	±0.3
30 OVER MAX. 120	±0.5
ANGLE	±2°

①	UPPER SHELL	COPPER ALLOY, Au OVER Ni
ITEM	PART NAME	MATERIAL & FINISH \triangle

THIS DRAWING IS A CONTROLLED DOCUMENT.

DWN Y.SHINO	18SEP2009	Tyco Electronics Tyco Electronics Corporation Kawasaki, Japan
CHK S.KAJINUMA	18SEP2009	
APVD S.KAJINUMA	18SEP2009	NAME 名称 LCD COAXIAL EMBEDDED DISPLAY INTERFACE (LCEDI) 0.5mm PITCH CONNECTOR PLUG UPPER SHELL
PRODUCT SPEC 製品規格 108-78659		
APPLICATION SPEC 取付適用規格 114-5456		SIZE A3
MATERIAL 材料 -	FINISH 仕上 -	CAGE CODE 00779
		DRAWING NO 番号 G-2023347
		RESTRICTED TO -

CUSTOMER DRAWING

SCALE 尺度 4:1 SHEET 1 OF 1 REV A